

PRODUCT INFORMATION PACKET

Model No: 056T34D15643

Catalog No: FX13BK001

FLEX-IN-1™ General Purpose Motor, 0.33 HP, 3 Ph, 60 Hz, 208-230/460 V, 3600 RPM, 56C Frame, DP



Regal and Marathon are trademarks of Regal Rexnord Corporation or one of its affiliated companies.

©2022 Regal Rexnord Corporation, All Rights Reserved. MC017097E



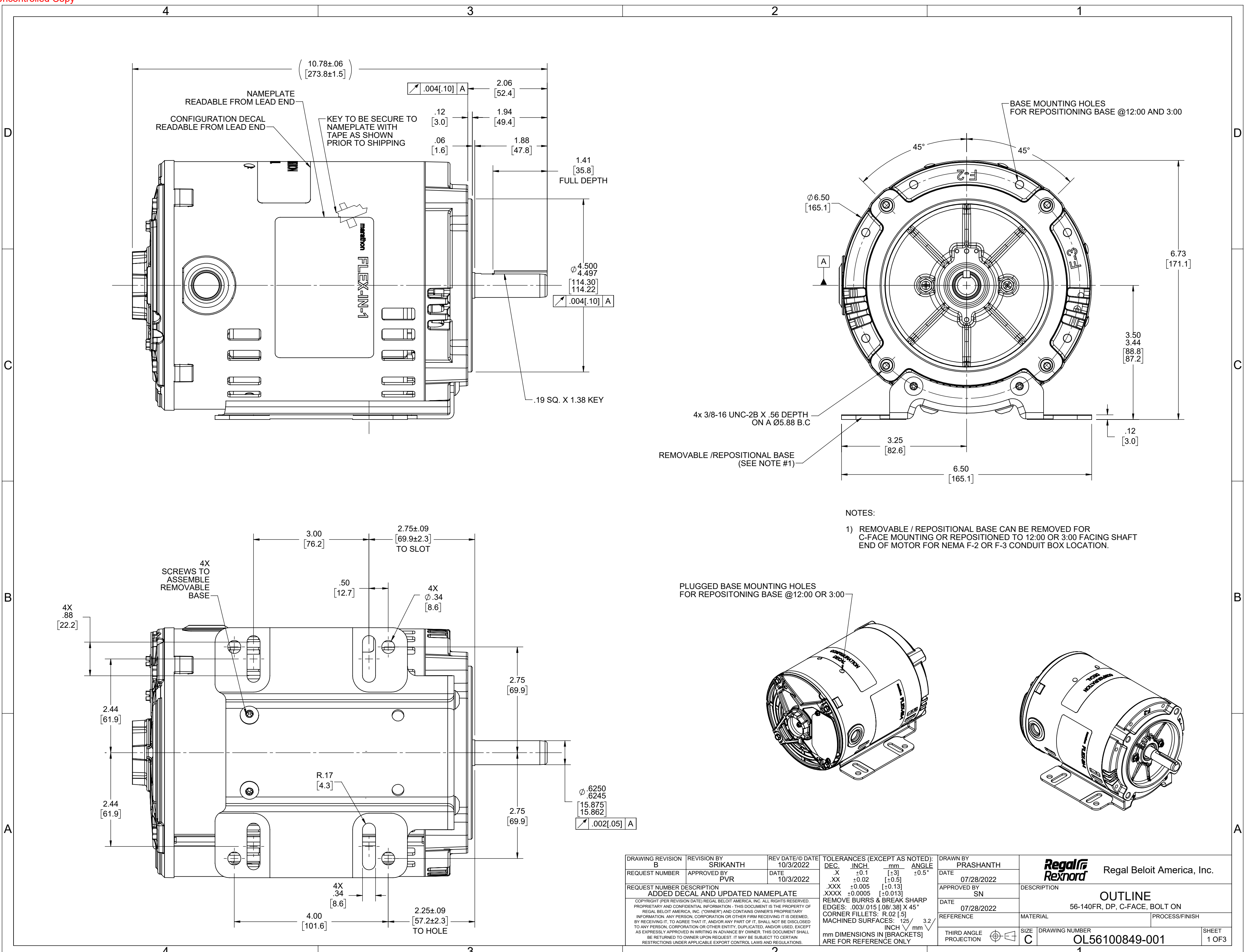
Nameplate Specifications

Output HP	0.33 Hp	Output KW	0.25 kW
Frequency	60 Hz	Voltage	208-230/460 V
Current	1.5-1.5/0.75 A	Speed	3450 rpm
Service Factor	1.35	Phase	3
Efficiency	69.5 %	Power Factor	58
Duty	Continuous	Insulation Class	F
Design Code	B	KVA Code	P
Frame	56C	Enclosure	Drip Proof
Thermal Protection	No Protection	Ambient Temperature	40 °C
Drive End Bearing Size	6203	Opp Drive End Bearing Size	6203
UL	Recognized	CSA	Y
CE	Y	IP Code	22
Number of Speeds	1		

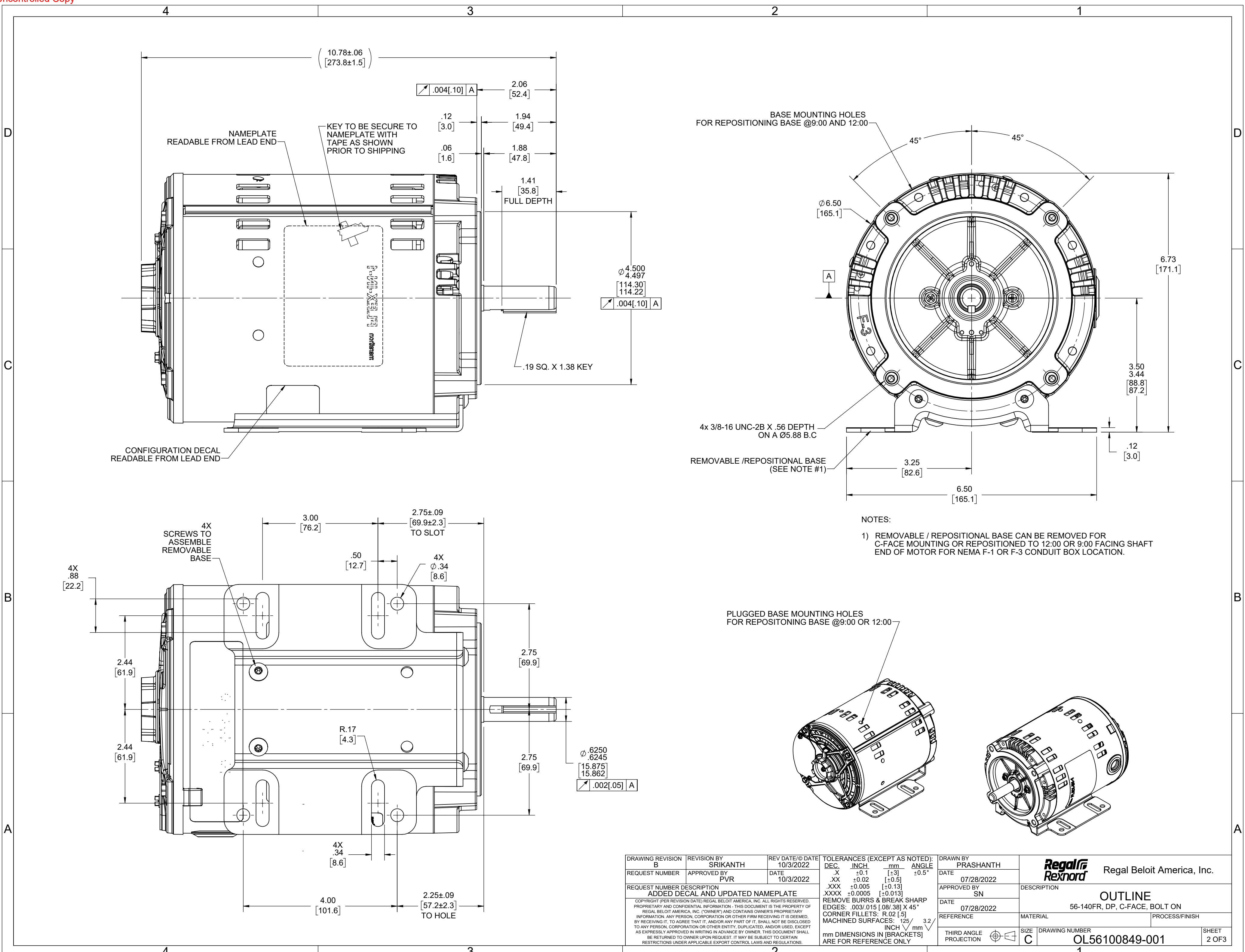
Technical Specifications

Electrical Type	Squirrel Cage Inverter Rated	Starting Method	Line Or Inverter
Poles	2	Rotation	Reversible
Resistance Main	57.6 Ohms	Mounting	Bolt-on Base
Motor Orientation	Horizontal	Drive End Bearing	Ball
Opp Drive End Bearing	Ball	Frame Material	Rolled Steel
Shaft Type	NEMA 56	Shaft Diameter	0.625 in
Assembly/Box Mounting	F1 ONLY	Inverter Load	CONSTANT 2:1
Outline Drawing	OL56100849-001	Connection Drawing	CDTD127

This is an uncontrolled document once printed or downloaded and is subject to change without notice. Date Created:11/30/2022



DRAWING REVISION B	REVISION BY SRIKANTH	REV DATE/© DATE 10/3/2022	TOLERANCES (EXCEPT AS NOTED):		DRAWN BY PRASHANTH	Regal Beloit America, Inc.
REQUEST NUMBER	APPROVED BY PVR	DATE 10/3/2022	DEC.	INCH	DATE 07/28/2022	
REQUEST NUMBER DESCRIPTION ADDED DECAL AND UPDATED NAMEPLATE			.X	±0.1	APPROVED BY SN	DESCRIPTION OUTLINE
COPYRIGHT (PER REVISION DATE) REGAL BELOIT AMERICA, INC. ALL RIGHTS RESERVED. PROPRIETARY AND CONFIDENTIAL INFORMATION - THIS DOCUMENT IS THE PROPERTY OF REGAL BELOIT AMERICA, INC. ("OWNER") AND CONTAINS OWNER'S PROPRIETARY INFORMATION. ANY PERSON, CORPORATION OR OTHER FIRM RECEIVING IT IS DEEMED, BY RECEIVING IT, TO AGREE THAT IT, AND/OR ANY PART OF IT, SHALL NOT BE DISCLOSED TO ANY PERSON, CORPORATION OR OTHER ENTITY, DUPLICATED, AND/OR USED, EXCEPT AS EXPRESSLY APPROVED IN WRITING IN ADVANCE BY OWNER. THIS DOCUMENT SHALL BE RETURNED TO OWNER UPON REQUEST. IT MAY BE SUBJECT TO CERTAIN RESTRICTIONS UNDER APPLICABLE EXPORT CONTROL LAWS AND REGULATIONS.			.XX	±0.02	DATE 07/28/2022	MATERIAL 56-140FR, DP, C-FACE, BOLT ON
			.XXX	±0.005	REFERENCE	PROCESS/FINISH
			.XXXX	±0.0005	THIRD ANGLE PROJECTION	DRAWING NUMBER OL56100849-001
			MACHINED SURFACES: $\pm .125$ INCH / ± 3.2 mm		SIZE C	SHEET 1 OF 3
			mm DIMENSIONS IN [BRACKETS] ARE FOR REFERENCE ONLY			



DRAWING REVISION B	REVISION BY SRIKANTH	REV DATE/@ DATE 10/3/2022	TOLERANCES (EXCEPT AS NOTED): DEC. INCH mm ANGLE	DRAWN BY PRASHANTH	Regal Rexnord Regal Beloit America, Inc.
REQUEST NUMBER	APPROVED BY PVR	DATE 10/3/2022	.X ±0.1 [±3] .XX ±0.02 [±0.5] .XXX ±0.005 [±0.13] .XXXX ±0.0005 [±0.013]	DATE 07/28/2022	
REQUEST NUMBER DESCRIPTION ADDED DECAL AND UPDATED NAMEPLATE			REMOVE BURRS & BREAK SHARP EDGES: .003/.015 [.08/.38] X 45° CORNER FILLETS: R.02 [.5] MACHINED SURFACES: ±.125 /mm √ 3.2 mm DIMENSIONS IN [BRACKETS] ARE FOR REFERENCE ONLY	APPROVED BY SN	DESCRIPTION OUTLINE
COPYRIGHT (PER REVISION DATE) REGAL BELOIT AMERICA, INC. ALL RIGHTS RESERVED. PROPRIETARY AND CONFIDENTIAL INFORMATION - THIS DOCUMENT IS THE PROPERTY OF REGAL BELOIT AMERICA, INC. ("OWNER") AND CONTAINS OWNER'S PROPRIETARY INFORMATION. ANY PERSON, CORPORATION OR OTHER FIRM RECEIVING IT IS DEEMED, BY RECEIVING IT, TO AGREE THAT IT, AND/OR ANY PART OF IT, SHALL NOT BE DISCLOSED TO ANY PERSON, CORPORATION OR OTHER ENTITY, DUPLICATED, AND/OR USED, EXCEPT AS EXPRESSLY APPROVED IN WRITING IN ADVANCE BY OWNER. THIS DOCUMENT SHALL BE RETURNED TO OWNER UPON REQUEST. IT MAY BE SUBJECT TO CERTAIN RESTRICTIONS UNDER APPLICABLE EXPORT CONTROL LAWS AND REGULATIONS.			DATE 07/28/2022	MATERIAL	PROCESS/FINISH
			THIRD ANGLE PROJECTION	SIZE C	DRAWING NUMBER OL56100849-001
					SHEET 2 OF 3

4

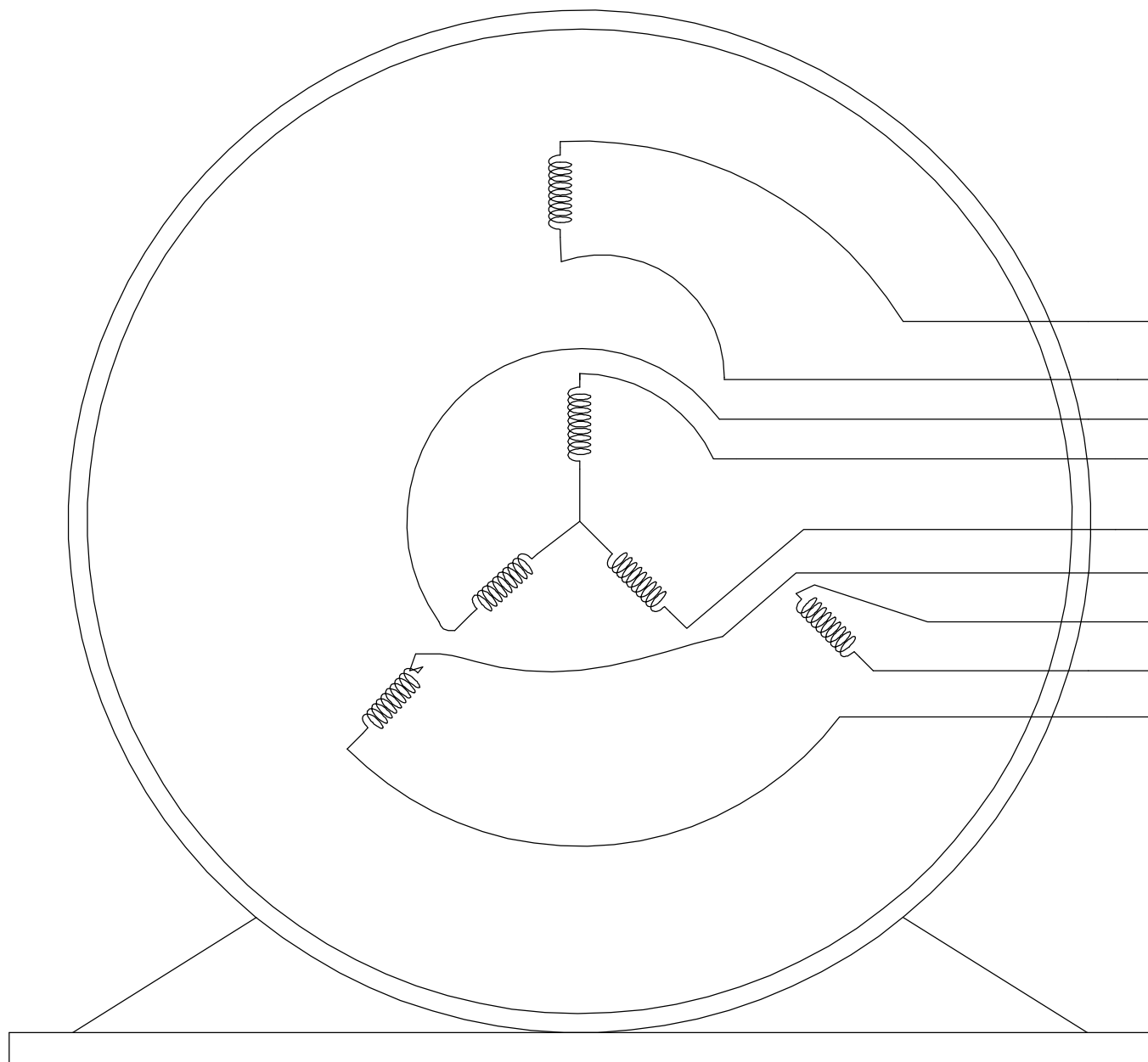
3

2

1

B

B



- T1 RED
- T4 BROWN
- T9 PINK
- T7 PURPLE
- T8 TAN
- T6 BLACK
- T5 ORANGE
- T2 WHITE
- T3 BLUE

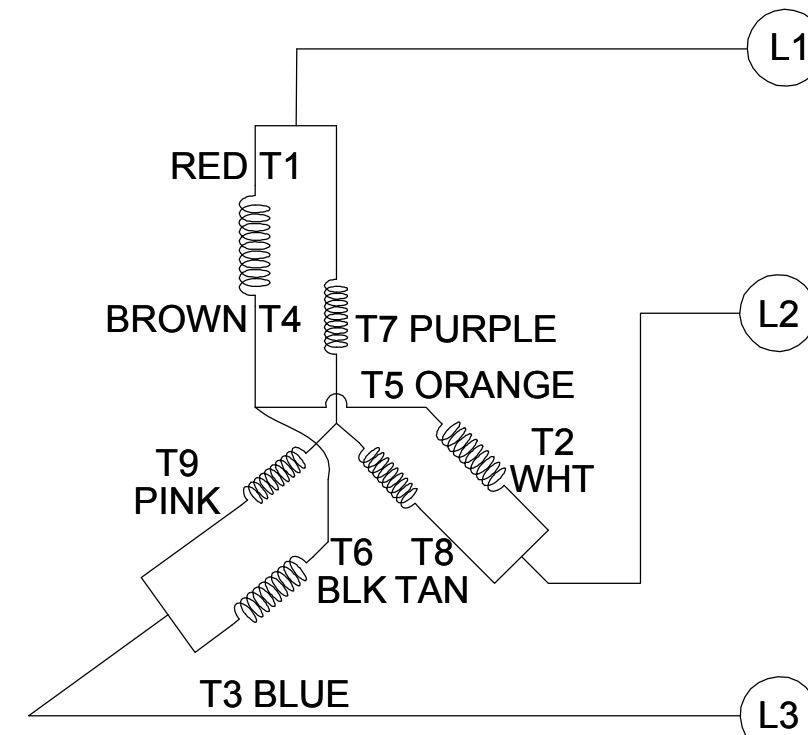
VIEW OF TERMINAL END

NOTE:

1. TO REVERSE ROTATION, INTERCHANGE ANY TWO LINE CONNECTIONS TO L1, L2, OR L3.
2. CONNECTION DIAGRAM-NAMEPLATE DD10123-001 - CCWLE DD10199-001 - CWLE

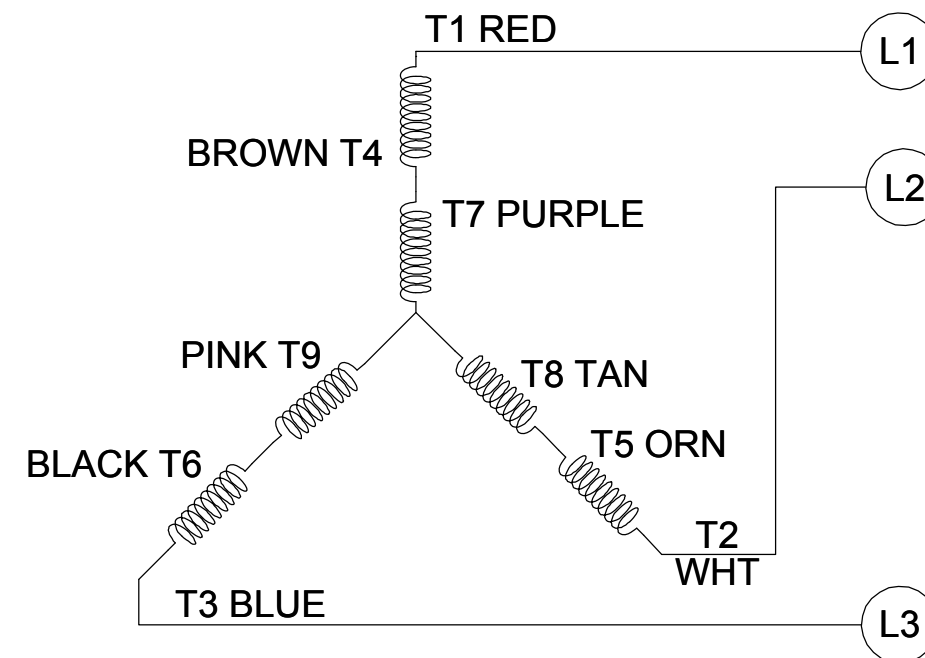
CCW LOW VOLTAGE

001



CCW HIGH VOLTAGE

002



A

A

DRAWING REVISION D	REVISION BY SHESHI	DATE 01/11/2019	TOLERANCES UNLESS OTHERWISE SPECIFIED: DEC. INCH mm ANGLE .X ±0.1 [±2.5] ±0.5° .XX ±0.01 [±0.25] .XXX ±0.005 [±0.127] .XXXX ±0.0005 [±0.0127] REMOVE BURRS & BREAK SHARP EDGES: .003/.015 [.076/.381] CORNER FILLETS: .02 [.51] MACHINED SURFACES: 125 INCH 3.2 mm mm SHOWN IN [BRACKETS]
ECO ECO-0159881	APPROVED BY CD	DATE 01/11/2019	
ECO DESCRIPTION ADDED DD10199-001			
COPYRIGHT REGAL BELOIT AMERICA, INC. ALL RIGHTS RESERVED. PROPRIETARY AND CONFIDENTIAL INFORMATION - THIS DOCUMENT IS THE PROPERTY OF REGAL BELOIT AMERICA, INC. ("OWNER") AND CONTAINS OWNER'S PROPRIETARY INFORMATION. ANY PERSON, CORPORATION OR OTHER FIRM RECEIVING IT IS DEEMED, BY RECEIVING IT, TO AGREE THAT IT, AND/OR ANY PART OF IT, SHALL NOT BE DISCLOSED TO ANY PERSON, CORPORATION OR OTHER ENTITY, DUPLICATED, AND/OR USED, EXCEPT AS EXPRESSLY APPROVED IN WRITING IN ADVANCE BY OWNER. THIS DOCUMENT SHALL BE RETURNED TO OWNER UPON REQUEST. IT MAY BE SUBJECT TO CERTAIN RESTRICTIONS UNDER APPLICABLE EXPORT CONTROL LAWS AND REGULATIONS.			

DRAWN BY G. RODRIGUEZ	Regal Beloit America, Inc.
DATE 12-01-2017	
APPROVED BY J. A. MORENO	
DATE 12-01-2017	
REFERENCE CDTD103	DESCRIPTION CONN DIAGRAM-EXTERNAL
THIRD ANGLE PROJECTION	MATERIAL
SIZE B	PROCESS/FINISH
	DRAWING NUMBER CDTD127
	SHEET 1 OF 1

4

3

2

1